

Stock Code: **50977LEDDCS-MWH/WHT**

Collection: Tallinn

### PRODUCT INFORMATION

Base: 50977 Parent: 50977LEDDCS  
Mounting Type: Ceiling UPC: 641594251746  
Finish: Matte White  
Diffuser: White

### PRODUCT MEASUREMENTS

| FIXTURE**               | BACKPLATE / CANOPY** |
|-------------------------|----------------------|
| Length:                 | Length               |
| Width:                  | Width:               |
| Diameter 18"            | Diameter: 5"         |
| Height: 6"              | Height: 1"           |
| Extension:              |                      |
| Overall Height: 11-127" |                      |

### TECHNICAL SPECIFICATIONS

#### SPECIFICATIONS

Frame Material: Steel  
Diffuser Material: Acrylic  
Lamping Type: SSL (Dedicated LED) Jbox: Standard  
Lamping Base: SSL Lamp Wattage: 40 W  
Lamp Quantity: 1 Total Wattage: 40 W  
Voltage: 120v Lamps Included: Yes

#### QUALIFICATIONS

Location Rating Damp  
Certification: ETL (US/Canada) Listed  
ADA Compliant: No Energy Star: No  
JA8 Compliant: Yes Emergency Lighting: No  
Marine Grade Finish: No  
Warranty\*\*: 5 Year

#### PHOTOMETRICS

Dimmable: Yes Nominal Lumens: 3500 Lm  
CRI: 90 Delivered Lumens: 1986 Lm  
CCT: Multi-CCTK  
Recommended Dimmers:  
(TRIAC)LEVITON Decora Sureslide 6674; (ELV)LUTRON Maestro MAELV-600; (TRIAC)LUTRON Skylark CL SCL-153 or SCL-153P; (TRIAC)LUTRON Diva DVCL-153P; (ELV)LEVITON Decora DSE06-10Z

#### ADDITIONAL NOTES

10 Feet of White Cord Included; 3 CCT Selectable Switch  
3000K, 3500K, 4000K

Project Name: \_\_\_\_\_

Location: \_\_\_\_\_

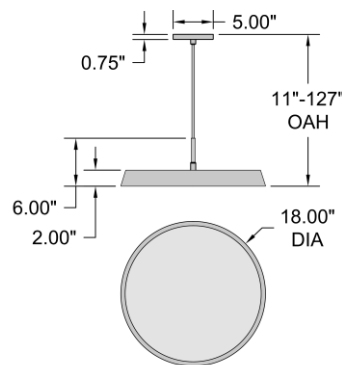
Type: \_\_\_\_\_

Quantity: \_\_\_\_\_

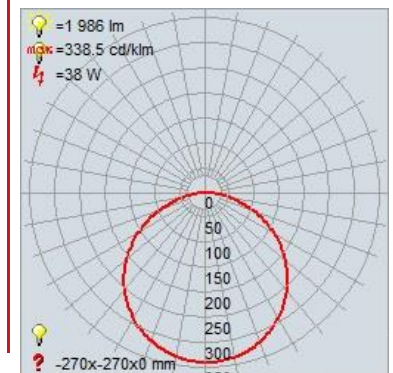
Notes: \_\_\_\_\_



#### LINE DRAWING



#### IES FILE



In addition to Access Lighting's purchase and warranty terms and conditions, by signing below or placing an order, you agree that you are authorized to bind the entity placing any order and acknowledge the following: All of sizes and measurements are approximate and all images are for illustrative purposes only. In the event of an inconsistency, the "Product Measurements" section controls. There also may be slight differences in the colors and designs compared to the displayed and printed images.

Signature: \_\_\_\_\_

Print Name \_\_\_\_\_ Date: \_\_\_\_\_

Toll Free 800-828-5483 [www.AccessLighting.com](http://www.AccessLighting.com)

301 Piedmont Grove Park, Suite A, Greenville, SC 29611

\*\* NOTE: All measurements are rounded up to the 1/4 inch. There is no warranty on any replaceable bulbs, even if included with the fixture.

Copyright Access Lighting Corp. All information is subject to change without notice.

5/22/2024

50977LEDDCS-MWH\_WHT.pdf

