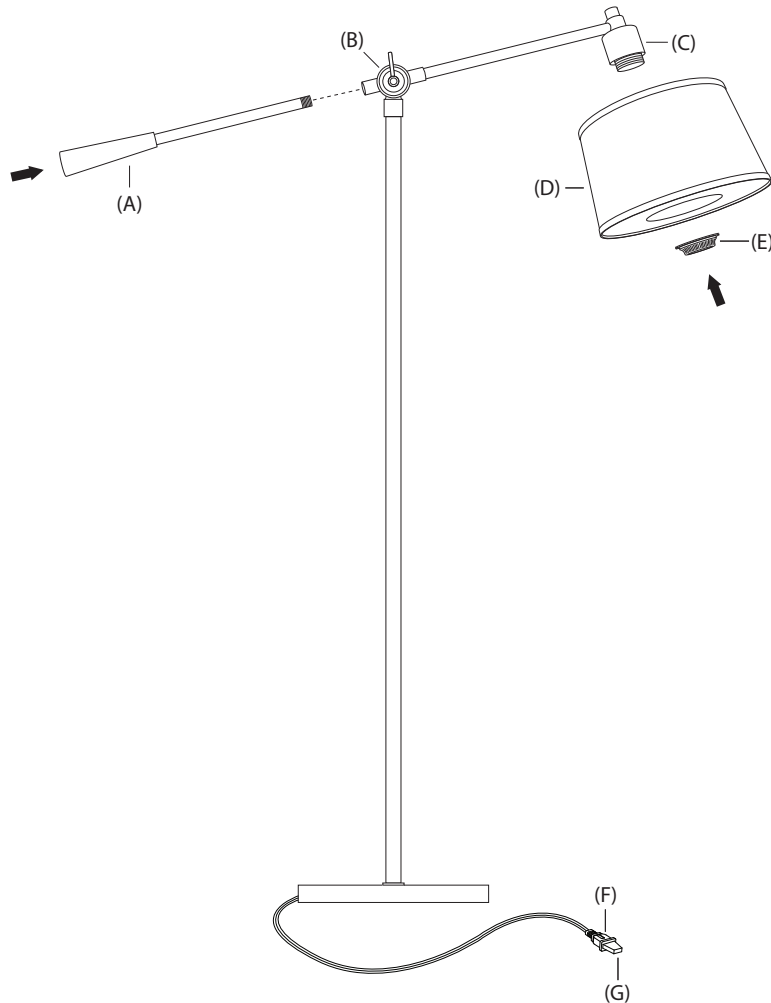


ASSEMBLY INSTRUCTIONS FOR YOUR
REAL SIMPLE
BOOM FLOOR LAMP



IMPORTANT SAFETY INSTRUCTIONS:

- *Turn off power at switch before replacing bulbs, making sure fixture has had sufficient time to cool down.
- *DO NOT subject the fixture to any shock while lit as shattering of bulbs may result.
- *This portable lamp has a polarized plug (one blade is wider than the other) as a feature to reduce risk of electric shock, this plug will fit in a polarized outlet only one way. If it does not fit fully in the outlet, reverse the plug. If it still does not fit, contact a qualified electrician.
- *Never use with an extension cord unless the plug can be fully inserted. DO NOT ALTER THE PLUG.

ASSEMBLY INSTRUCTIONS:

1. Remove all parts from carton. Do not throw away any parts.
2. Place base on a level surface.
3. Insert threaded end of boom arm (A) into threaded opening in swivel housing (B). Turn until hand tight.
4. Remove flange (E) from threaded socket (C).
5. Place shade spider, located inside shade (D), over threaded socket (C). Attach socket flange (O) to threaded socket (C) to secure shade (D) to lamp.
6. Insert one (1) 100W MAX Type A, medium base bulb in to socket (C).
7. Remove protective plastic (F) from polarized plug (G). Insert polarized plug (G) into wall outlet.

* To clean, wipe lamp with a soft dry cloth. Do not use any chemical or abrasive cleaners as they can damage the finish. *