

Jeremiah

Lighting

28504-AN

Please read carefully and save these instructions, as you may need them at a later date.

CAUTION

Turn off the main power at the circuit breaker before installing the fixture, in order to prevent possible shock.

All electrical connections must be in accordance with local and National Electrical Code (N.E.C.) standards. If you are unfamiliar with proper electrical wiring connections obtain the services of a qualified electrician.

GENERAL

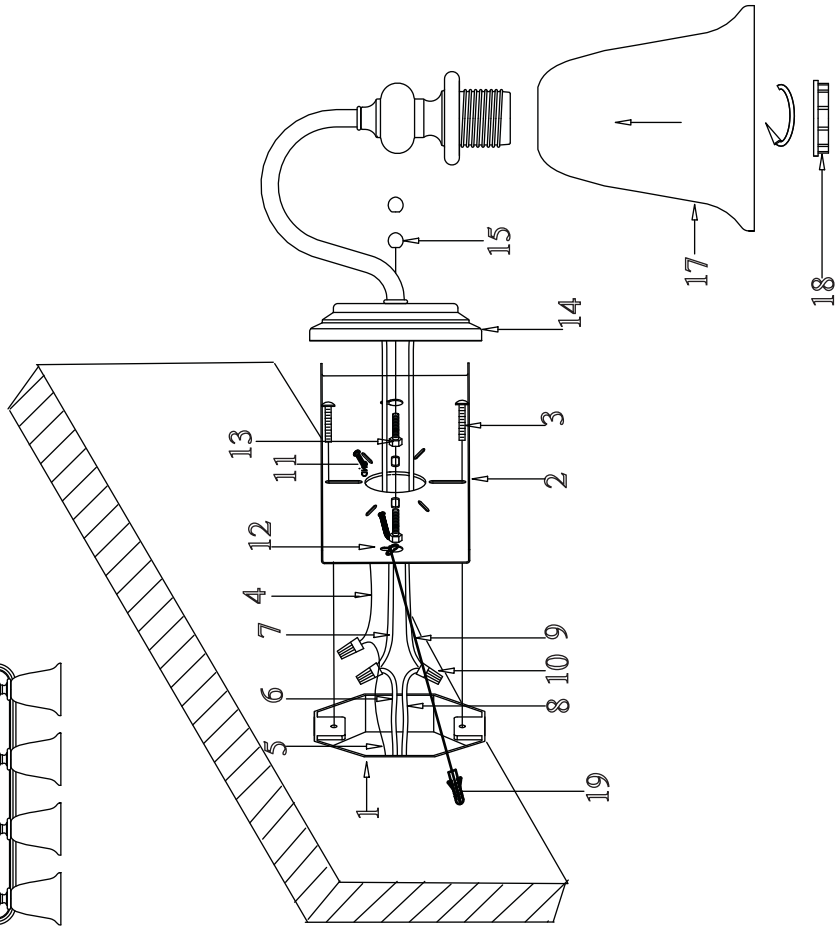
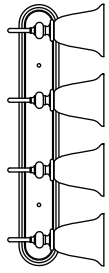
Remove the fixture and the mounting package from the box and make sure that no parts are missing by referencing the illustrations on the installation instructions.

ASSEMBLY AND INSTALLATION

1. Remove DECORATIVE NUTS (15) from FIXTURE (14) and remove MOUNTING PLATE (2). Carefully pass the power SUPPLY WIRES (6 & 8) and the SUPPLY GROUND WIRE (5) through the center hole of the MOUNTING PLATE (2). Secure the MOUNTING PLATE (2) to the OUTLET BOX (1) (not included) with existing FIXTURE SCREWS and WASHERS (13).
2. It is advisable to anchor the MOUNTING PLATE (2) to the wall by using the set of holes at each end of the MOUNTING PLATE (2) and the WALL ANCHORS (19) and WALL ANCHOR SCREWS (12) or your own screws, toggle bolts, plastic anchors, etc. (Screws not provided on all models.)
3. Attach the BLACK SUPPLY WIRE (8) to the SMOOTH (or BLACK) FIXTURE LEAD WIRE (9) with WIRE CONNECTOR (10). In the same manner, attach the WHITE SUPPLY WIRE (6) to the RIBBED (or WHITE) FIXTURE LEAD WIRE (7). Loop the FIXTURE GROUND WIRE (4) around the GROUND SCREW (11) on the MOUNTING PLATE (2). [Note: Be sure to provide an extra 3in. length of the FIXTURE GROUND WIRE (4) for connection to the SUPPLY GROUND WIRE (5).] Tighten the GROUND SCREW (11). Connect the remaining FIXTURE GROUND WIRE (4) to the SUPPLY GROUND WIRE (5) using a WIRE CONNECTOR (10). Push wiring and connections inside the OUTLET BOX (1).
4. Place the FIXTURE (14) over the FIXTURE SCREWS and HEX NUTS (13) and secure it with the DECORATIVE NUTS (15) provided.
5. Remove SOCKET RINGS (18). Slide GLASS SHADE (17) over each SOCKET (16) and secure with the SOCKET RING (18).
6. Install bulbs, **MAXIMUM 60W.**

INSTALLATION IS NOW COMPLETE

WILLOW PARK



4-LIGHT VANITY

1. OUTLET BOX (NOT INCLUDED)
2. MOUNTING PLATE
3. MOUNTING SCREW and WASHER (pre-attached to outlet box)
4. FIXTURE GROUND WIRE
5. SUPPLY GROUND WIRE (not included)
6. WHITE SUPPLY WIRE (not included)
7. RIBBED (or WHITE) FIXTURE LEAD WIRE
8. BLACK SUPPLY WIRE (not included)
9. SMOOTH (or BLACK) FIXTURE LEAD WIRE

10. WIRE CONNECTOR
11. GROUND SCREW (pre-attached)
12. WALL ANCHOR SCREW
13. FIXTURE SCREW and HEX NUT (pre-attached)
14. FIXTURE
15. DECORATIVE NUT
16. SOCKET (pre-installed)
17. GLASS SHADE
18. SOCKET RING
19. WALL ANCHOR

Customer Service: 1 (800) 527-1292